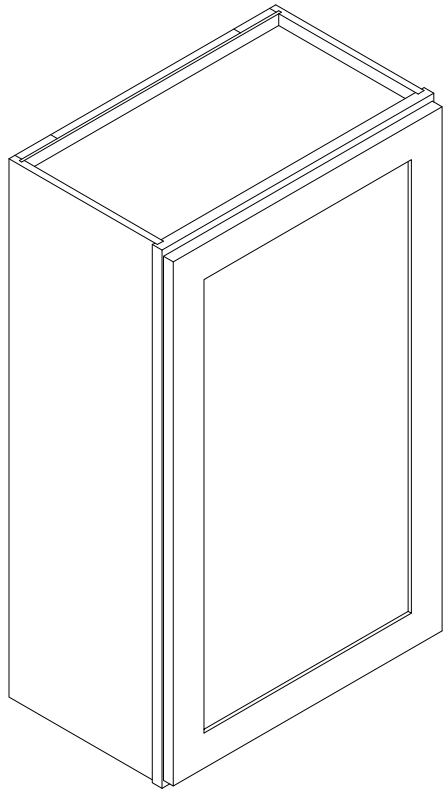
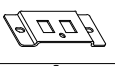
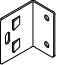
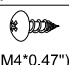



# ASSEMBLY INSTRUCTIONS

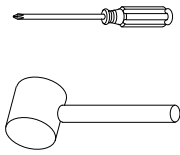
W0936/W1236/W1536/W1836/W2136



## Parts list

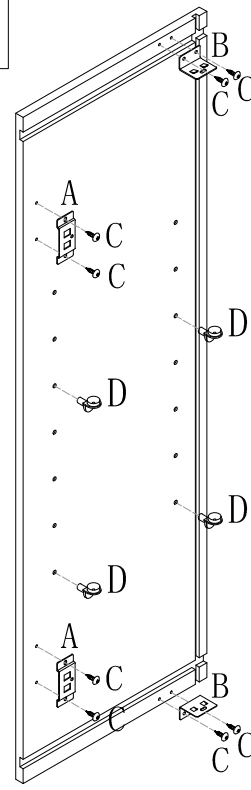
| NO. | Parts                                                                                             | QTY |
|-----|---------------------------------------------------------------------------------------------------|-----|
| A   |                | 8   |
| B   |                | 8   |
| C   | <br>(M4*0.47") | 40  |
| D   |                | 8   |

## Tools (required but not provided)

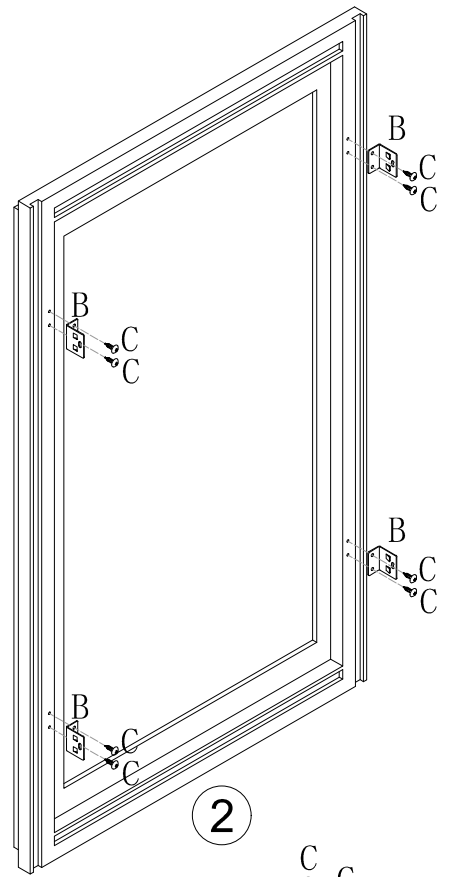


## Step 1

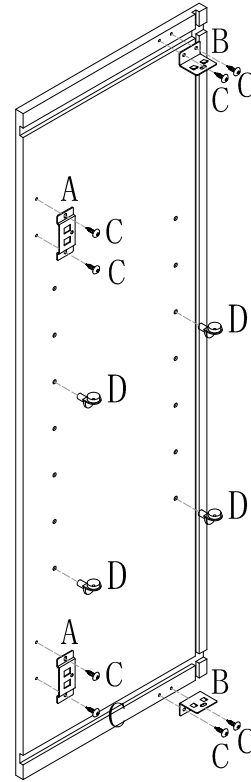
1



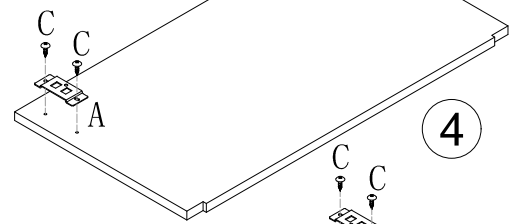
2



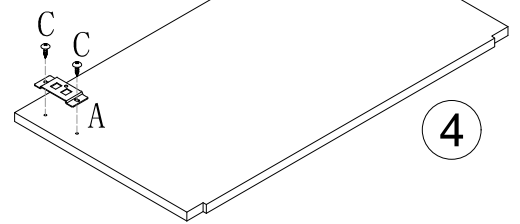
1



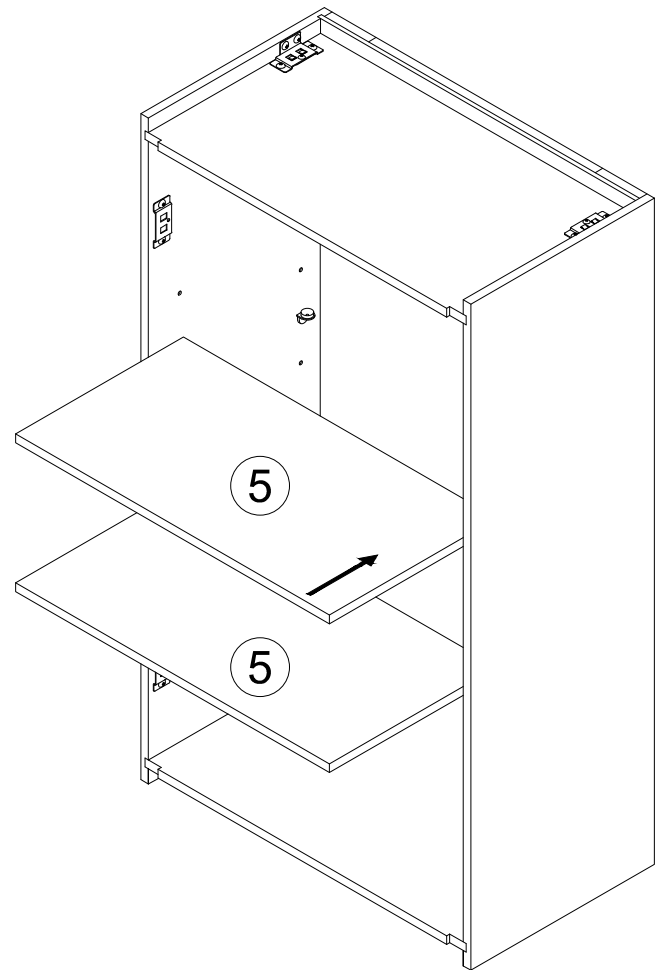
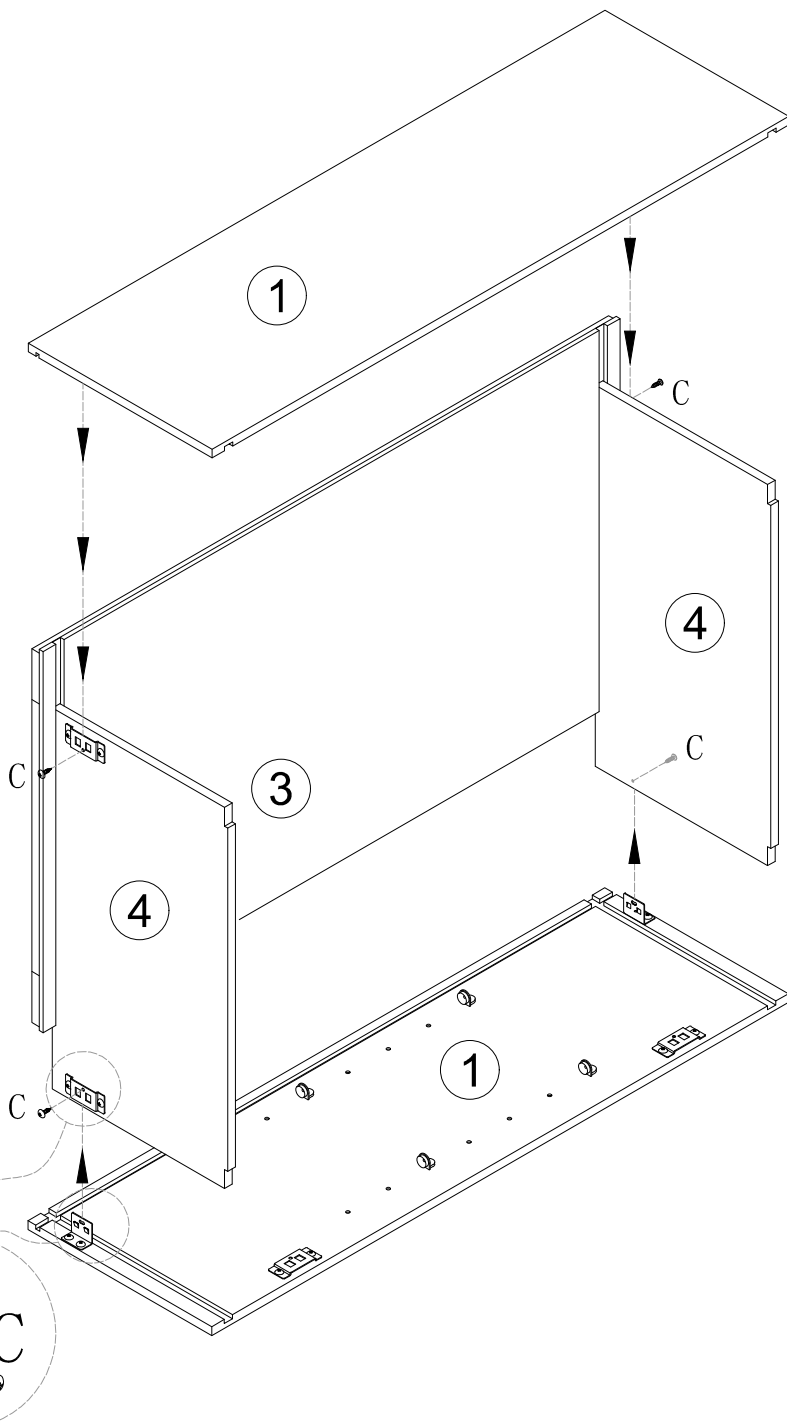
4



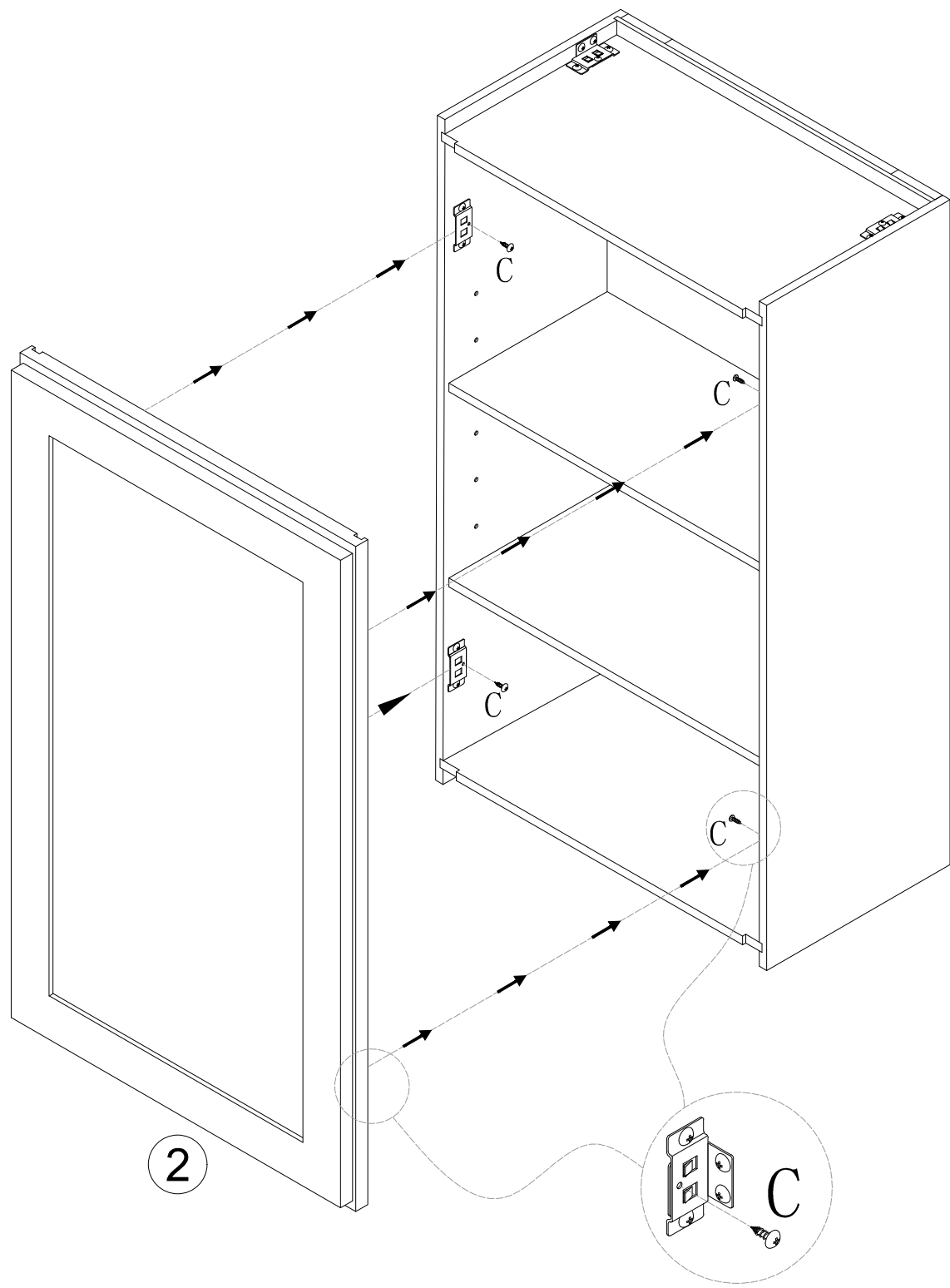
4



## Step 2



Step 3



Finished

